

MONTAGEVOORSCHRIFT

MOUNTING INSTRUCTIONS

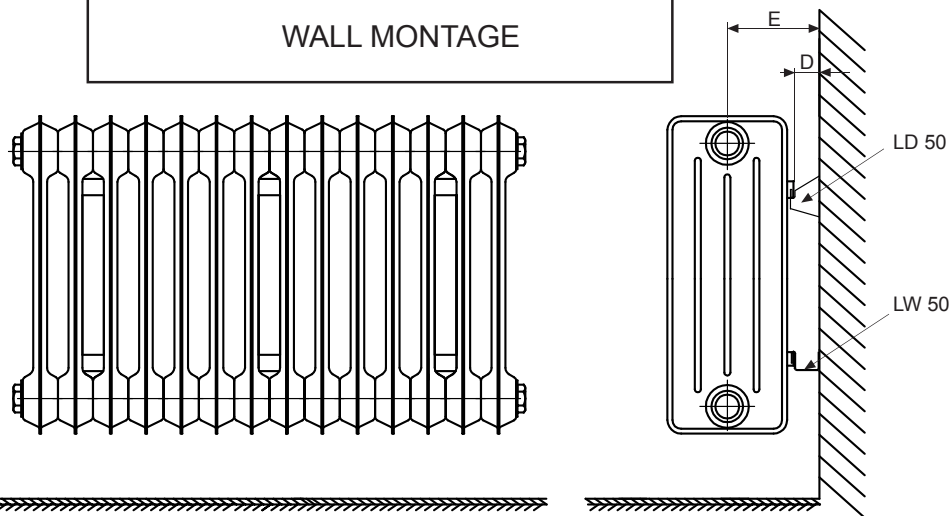
INSTRUKCJA MONTAŻU

MONTAGE-ANLEITUNG

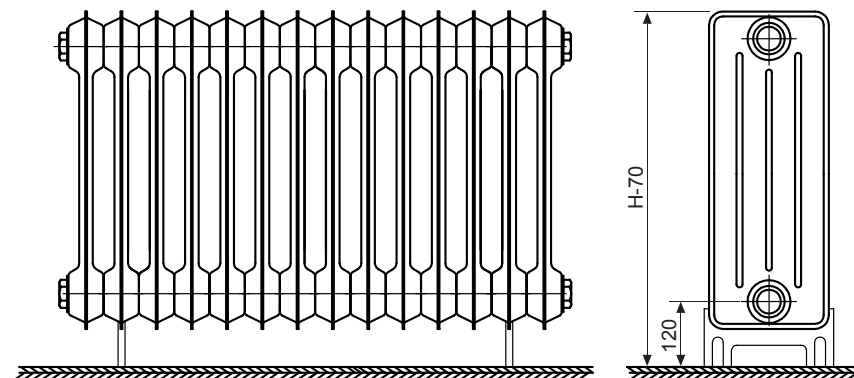
INSTRUCTIONS DE MONTAGE

VERA (VE50)

WALL MONTAGE



FLOOR MONTAGE (ON FOOT)



	B(mm)	D(mm)	E(mm)
LD 50 + LW50	110	50	105
	160		130
	220		160
	250		175

VE 50	Number of columns	Number of feet
	2 - 25	2
	26 - 50	3
	51 - 60	4

VE 50	Number of columns	Number of wall brackets Set: LD50 + LW50
	3 - 5	1
	6 - 25	2
	26 - 50	3
	51 - 60	4

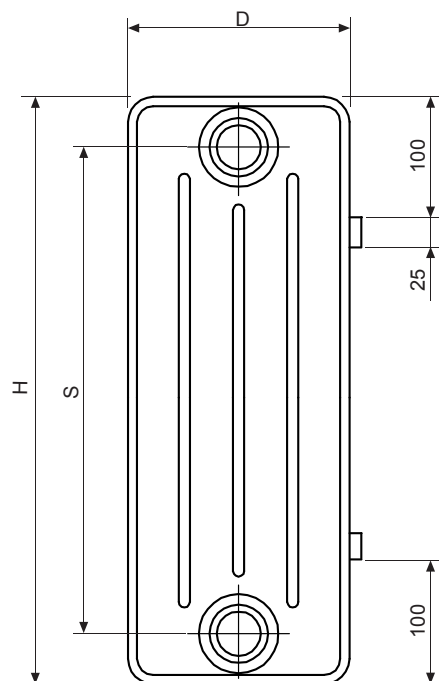
Werkdruk : Max.5 bar
Betriebsdruck : Max.5 bar
Pression de service : Max.5 bar
Operating pressure : Max.5 bar
Presión : Max.5 bar
Ciśnienie Robocze : Max.5 bar

MONTAGEVOORSCHRIFT
MONTAGE-ANLEITUNG

MOUNTING INSTRUCTIONS
INSTRUCTIONS DE MONTAGE

INSTRUKCJA MONTAŻU
VERA (VE50 / VE90)

decotivo
exclusive at Van Marcke



VE 50

H(mm)	D(mm)	S(mm)
300	250	200
450	160	350
450	220	350
600	110	500
600	160	500
600	220	500
1000	110	900
1000	160	900
1000	220	900